



Item # _____

Model 829A

Manual Gravity Feed Slicer



Model 829A



Safety and Convenience Features

Berkel Model 829A manual gravity feed slicer features Berkel's hollow ground chromium-plated, carbon steel knife and built-in, single lever, dual-action sharpener with convenient handle located on the sharpener cover. The permanent, tapered guard covers the non-slicing portion of the knife, even when the center plate is removed. The 45° table with gauge plate interlock makes product feed easier, creating more consistent and uniform slices with less waste. The 1/2 HP motor, 14" knife and large product table are ideal for handling oversize meats, cheeses and a variety of other products. The 829A is easy to clean and disassembles quickly without tools.

Standard Features

- 1-speed, 1/2 HP, totally enclosed and permanently lubricated knife motor
- Furnished in 115/60/1, 2.9 amp, AC, ETL listed
- Finish is stainless steel and sanitary anodized aluminum; unit disassembles quickly without tools for easy cleaning
- 45° Product table with gauge plate interlock
- Nominal 14" (350 mm) diameter; hollow ground, hardened and polished forged chromium-plated carbon steel knife
- Carriage handles food up to 11" (280 mm) wide, by 8-1/2" (216 mm) high or 8-1/2" (216 mm) diameter
- Precise slice adjustment to a thickness of 3/4" (19 mm)
- Built-in, non-removable, top-mounted, two stone knife sharpener with single lever, dual-action system
- Permanent, tapered knife ring guard covers non-slicing portion of knife even when the center plate is removed; ring guard design provides more room behind the knife for easy cleaning
- Positive, moisture protected, rotary on/off switch and power indicator light
- Attached 6-foot, flexible, 3-wire cord and plug for grounded receptacle

Approved By: _____
Date _____

Berkel Company • 4406 Technology Drive • South Bend, IN 46628-9700
574-232-8222 • 800-348-0251 • FAX 888-888-2838 • www.berkel.com

Berkel

Model 829A

Manual Gravity Feed Slicer

Model No.	Cutting Capacity	Slice Thickness	Knife Diameter	Product Dimensions		
				Width A	Depth B	Height C
829A	11" (280mm) wide 8-1/2" (216 mm) high 8-1/2" (216 mm) diameter	to 3/4" (19 mm)	14" (350mm)	21" (533 mm)	28" (711 mm)	18" (457 mm)

	Motor	Electrical	Weight Net	Ship	Box Dimensions		
					Width	Depth	Height
829A	1-speed 1/2 HP	115/60/1	91 lbs. (41 kg.)	119 lbs. (54 kg)	34" (864 mm)	29" (737 mm)	30" (762 mm)

Specifications

Motor: 1-speed, 1/2 HP, totally enclosed, permanently lubricated ball bearings, thermally protected.

Electrical: Furnished in 115/60/1, 2.9 amp, AC, ETL listed.

Finish/construction: All food contact areas are stainless steel or anodized aluminum including the pusher, gauge plate, product table, center plate, knife ring guard and one-piece base. Slicer disassembles quickly without tools for easy cleaning.

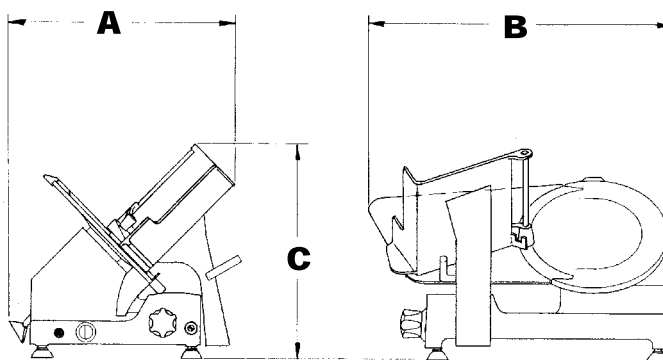
Knife: Nominal 14" (350 mm) diameter, hollow ground, hardened and polished forged chromium-plated carbon steel.

Cutting Capacity: Carriage handles food up to 11" (280 mm) wide by 8-1/2" (216 mm) high or 8-1/2" (216 mm) diameter.

Slice Thickness: Precision system provides infinite slice adjustment and consistent cuts of hard or soft foods from tissue thin to 3/4" (19 mm).

Full Gravity Feed: Full 45° angle feed with gauge plate interlock requires less mechanical pressure. Equipped with anodized aluminum pusher to hold product and minimize waste.

Knife Sharpener: Built-in, non-removable, top mounted, two stone, dual-action system for a lasting, razor-sharp edge.



Knife Ring Guard: Permanent, tapered guard covers non-slicing portion of knife edge even when the center plate is removed. The ring guard is designed to provide added room behind the knife for easy cleaning.

On/Off Switch: Highly reliable, moisture resistant, rotary on/off switch and power indicator light.

Cord and Plug: Attached 6-foot, flexible, 3-wire cord and plug for grounded receptacle.

Warranty: All parts, service and travel coverage for one year, excluding wear items.

As we continually strive to improve our products, specifications are necessarily subject to change without notice.

**Berkel Company • 4406 Technology Drive • South Bend, IN 46628-9700
574-232-8222 • 800-348-0251 • FAX 888-888-2838 • www.berkel.com**