

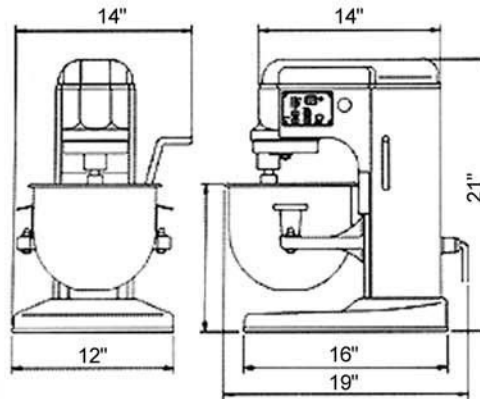
### BMPM007 7 Quart Mixer



- \* Gear Driven.
- \* Professional countertop style.
- \* 650-Watt motor offers enough power to mix stiffer doughs and larger batches.
- \* All metal and die-cast aluminum body.
- \* Transmission is made of hardened alloy steel gears.
- \* All shafts are mounted in ball bearings.
- \* Automatic electronic 5 speed control and digital timer.
- \* Planetary mixing action ensures perfect results.
- \* Simple hand lift for tool change and bowl removal.
- \* Safety guard is standard for model **BMPM007** and provides you with automatic shut-off when guard is opened at any speed.

### Accessories

- \* 7 Qt. Stainless steel bowl
- \* Dough Hook
- \* Flat Beater
- \* Wire Whip



Model No.	Bowl Capacity	Motor	Agitator Speed (RPM)	N.W.	G.W.
BMPM007	7 Quart	650 Watts	100-500	40 lbs 18 kg	44 lbs 20 kg

\* Standard Voltages: 100 - 120 volts / single phase, 208 - 240 volts / single phase

**One year parts and labor warranty**